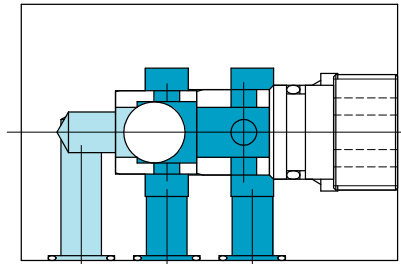
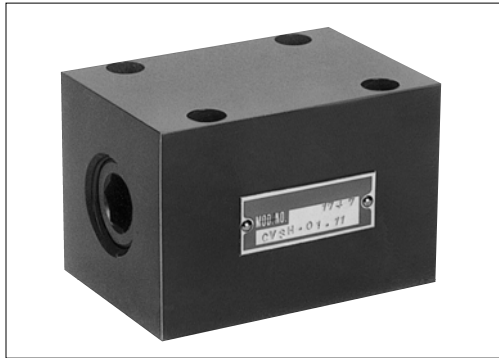


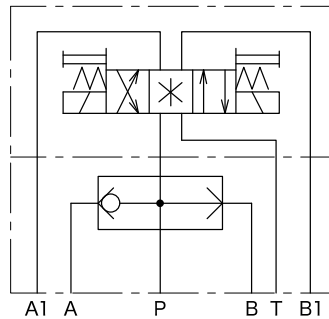
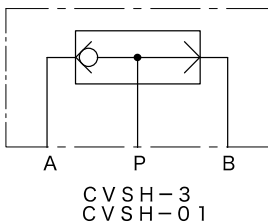
Shuttle valves CVSH



F
28

Functional Symbols

CHECK VALVES



Solenoid directional valve
DG4V-3

- Pressure from the higher of A port or B port will be directed to P port.
- Used if constant pilot pressure must be maintained.

Model Code

CVSH-3-10

1 2 3

- 1 Shuttle valve
- 2 Size
3: 1/4
O1: 318
MD: 1/4 (solenoid valve stack module)
- 3 Design no.

Mounting Bolts (JIS B1176, Strength Class 12.9)

Valve Model	Hex Socket Bolts	Qty
CVSH-3	M5 × 50	4
CVSH-01	M6 × 60	4

- Order mounting bolts separately.
- Mounting bolt tightening torque:
CVSH-3: 7~8 Nm
CVSH-01: 12~15Nm

Specifications

Model	Max. Wkg. Pressure MPa	Rated Flow L/min	Weight kg
CVSH-3-10	21	10	0.8
CVSH-01-11	21	50	2.1
CVSH-MD-11	21	10	1.5

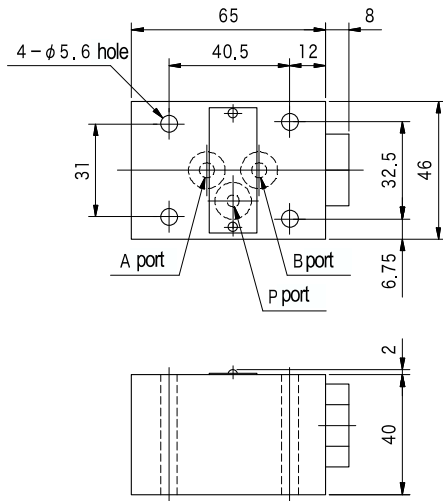
Subplate

Valve Model	Subplate		Connection Port Dia. Rc
CVSH-3	Side Piping	DGMS-3-1E-10-T-JA-J	3/8
	Bottom Piping	DGVM-3-10-T-JA-J	

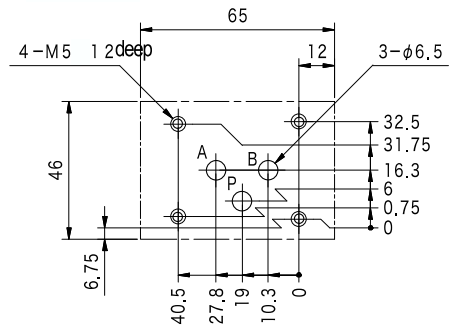
- Subplate must be ordered separately.
- See page Q8 for dimensions.

Dimensions

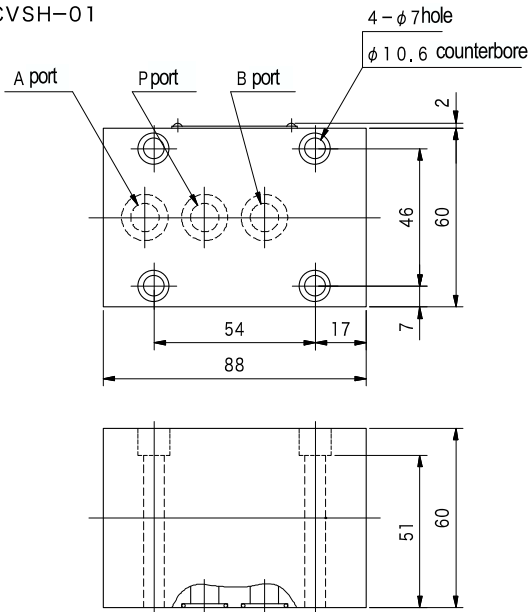
CVSH-3



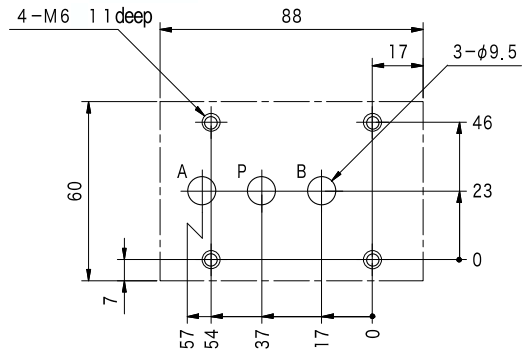
Mounting Dimensions (ISO 4401-03)



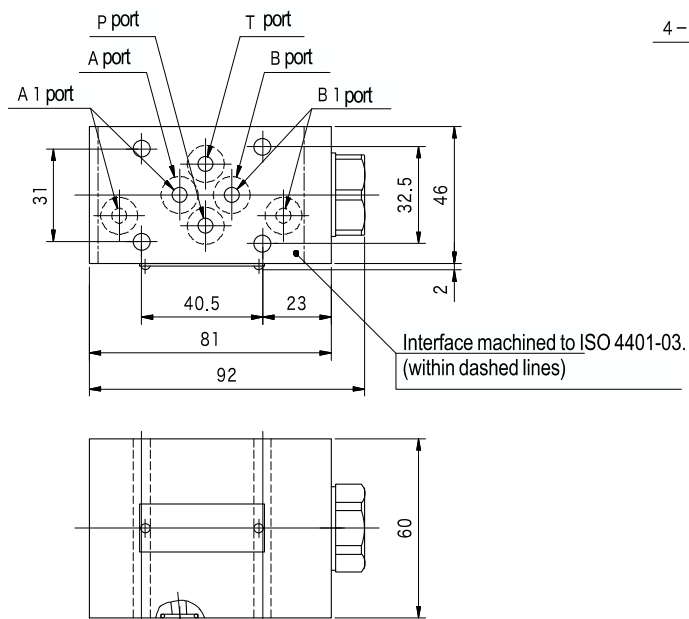
CVSH-01



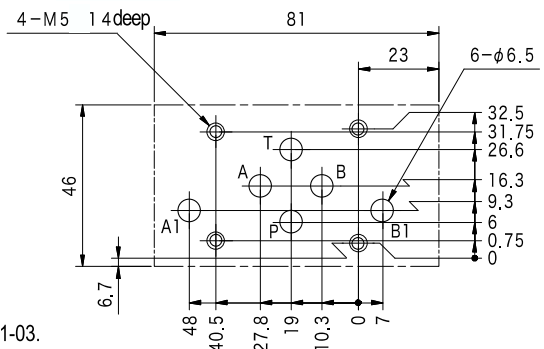
Mounting Dimensions



CVSH-MD

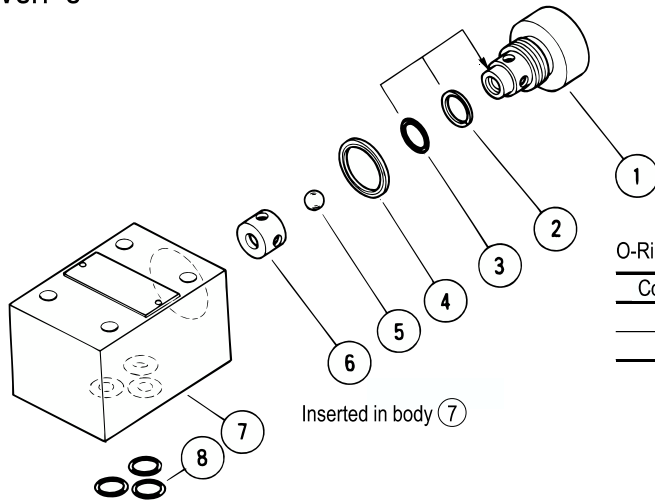


Mounting Dimensions



Construction

CVSH-3



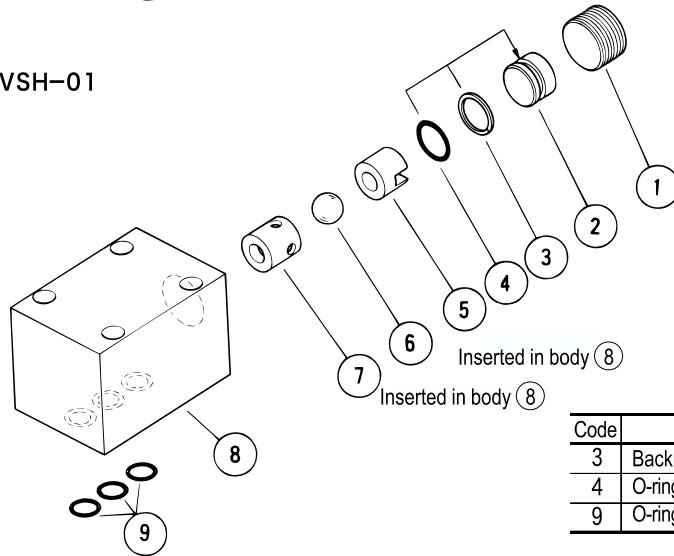
O-Rings

Code	Part No.	Standard	Qty
3	007901319	AS568-013 (NBR, Hs90)	1
8	007901219	AS568-012 (NBR, Hs90)	3

F
30

CHECK VALVES

CVSH-01



Code	Part Name	Part No.	Standard	Qty
3	Backup ring	008101702	JIS B 2407 T2-P18	1
4	O-ring	008001717	JIS B 2401 1A-P18	1
9	O-ring	007901417	AS568-014 (NBR, Hs70)	3