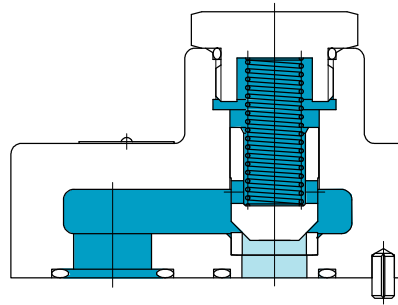


Angle type check valves (subplate mounting type) C2G/C5G



Functional Symbol



Model Code

(F3) - C5G - 825 - (S3) - JA - (11) - (S160) - (M)

1 2 3 4 5 6 7

- | | |
|---|---|
| <p>1 Fluid
Omit for mineral oil, water glycol
F3: phosphate ester</p> <p>2 Angle check (gasket mount)</p> <p>3 Size
See 'Specifications'</p> <p>4 Cracking pressure
See 'Specifications'</p> <p>5 Design no.
Used only for C2G-805</p> | <p>6 Special feature
S51: adj. opening (for C2G-805)
S160: adj. opening (for C2G-815, C5G-825)</p> <p>7 Mounting bolts
Omitted: unified thread (3/4-10UNC)
M: metric bolts (M20)
Only for C5G-825, 'Omitted' code applicable for all others</p> |
|---|---|

Specifications

Model	Size	Maximum Working Pressure MPa	Rated Flow L/min	Weight kg
C2G-805	03	21	40	1.5
C5G-815	06		80	3.0
C5G-825	10		380	6.0

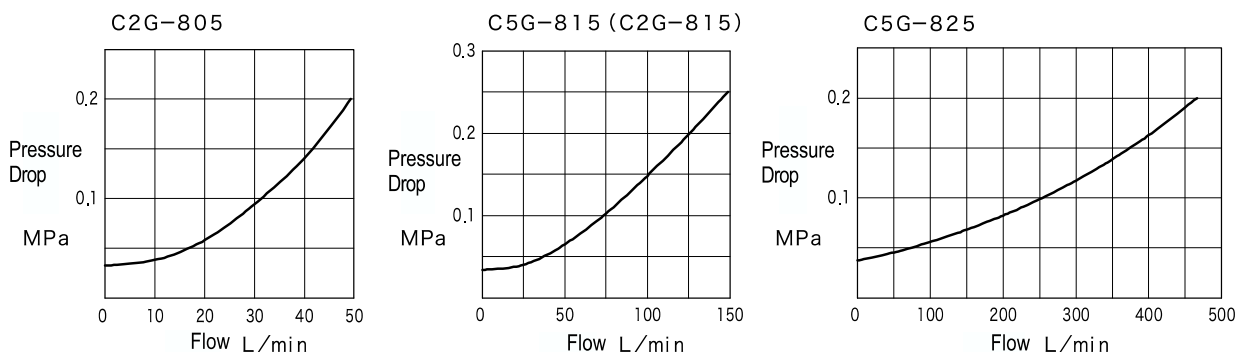
Note: max. working pressure of S51, S160 special suffix valves is 14 MPa.

Model	Omitted, S12	S20	S19	S2	S3	S8	S17	S34	S22
Cracking Pressure MPa	0.035	0.004	0.14	0.25	0.35	0.53	0.88	1.05	No spring

Note: cracking pressures may not be applicable depending on valve size. See Spring Table on page F11.

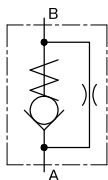
Performance Curves (at 20 mm²/s)

Pressure Drop Characteristics (cracking pressure 0.035 MPa)



Notes on Use

- S22 (no spring) type should be mounted horizontally with gasket surface down.
- S12 (w/bypass orifice) type has orifice in the poppet. Orifice diameter for C2-800 and C2-805 is $\phi 1.0$ and for others, $\phi 1.2$.



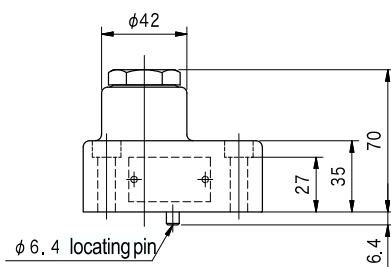
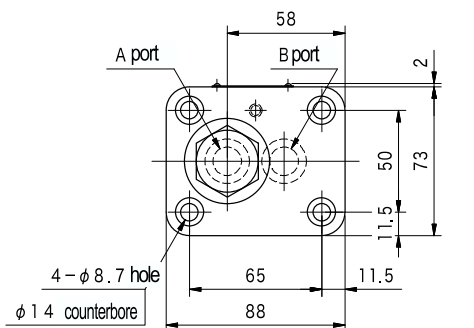
Mounting Bolts (JIS B1176, Strength Class 12.9)

Valve Model	Hex Socket Bolts		Qty
	Metric	Unified	
C2G-805	M8 × 40	5/16-18UNC × 38.1	4
C5G-815	M16 × 45	5/8-11UNC × 44.5	4
C5G-825	M20 × 90	3/4-10UNC × 88.9	4

- Order mounting bolts separately.
- Mounting bolt tightening torque:
C2G-805: 27~33Nm
C5G-815: 90~110Nm
C5G-825: 180~220Nm

Dimensions

C2G-805

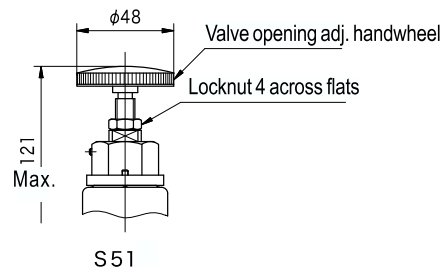
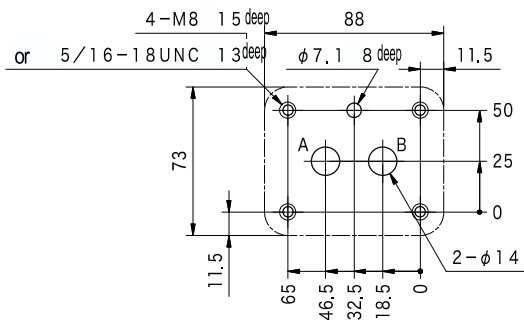


Subplate

Valve Model	Subplate	Connection Port Dia. Rc
C2G-805	C2GM-800-JA-10-J	1/4
	C2GM-805-JA-10-J	3/8
C5G-815	C4GM-815-JA-J	3/4
C5G-825	C5GM-825-JA-J	1-1/4

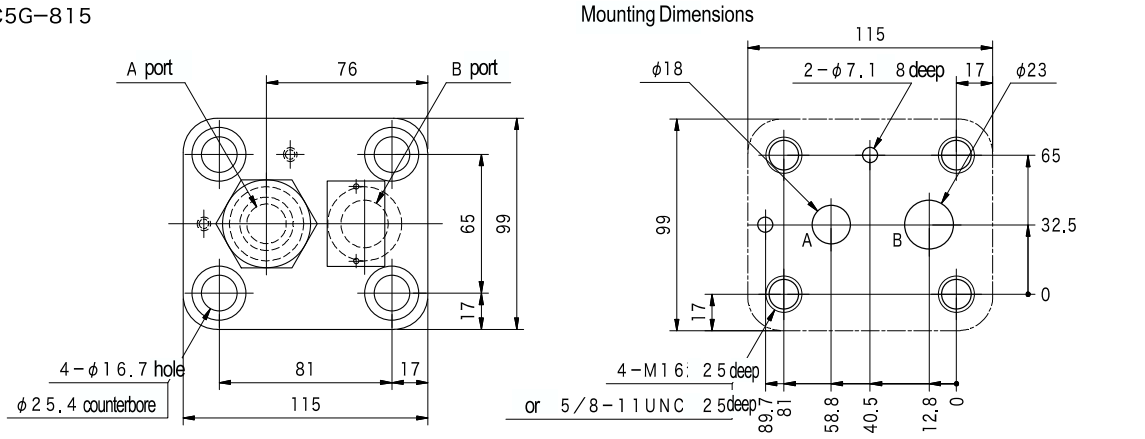
- Subplate must be ordered separately.
- Hex socket bolts are included (unified thread).
- See page Q5 for dimensions.

Mounting Dimensions

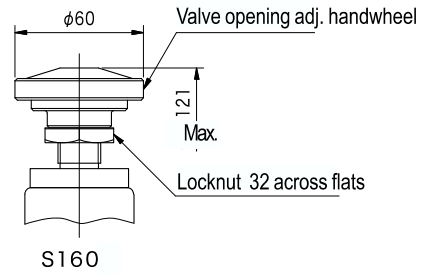
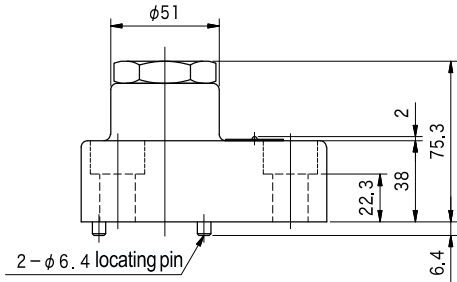


Dimensions

C5G-815

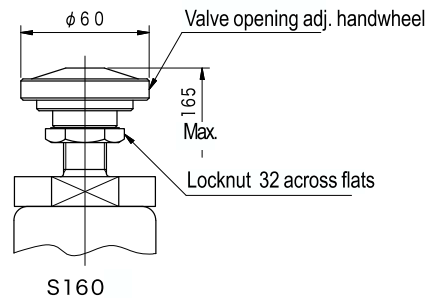
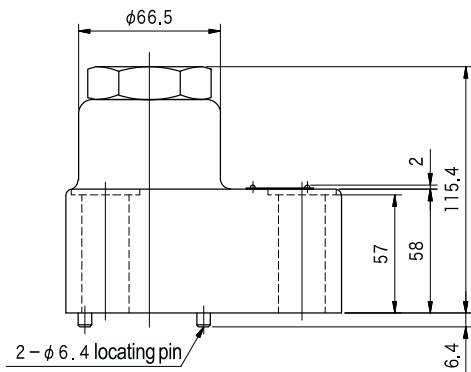
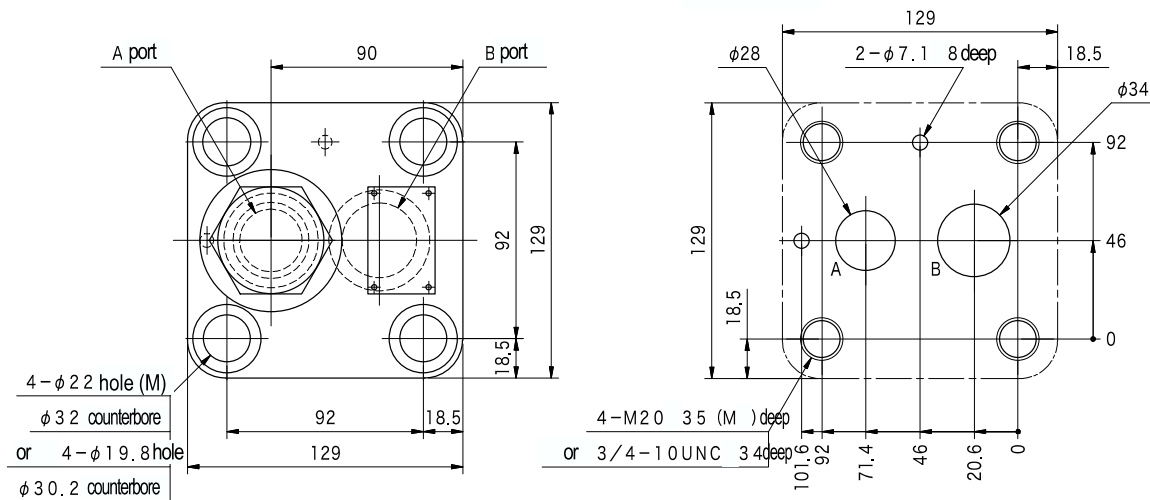


F 10
CHECK VALVES

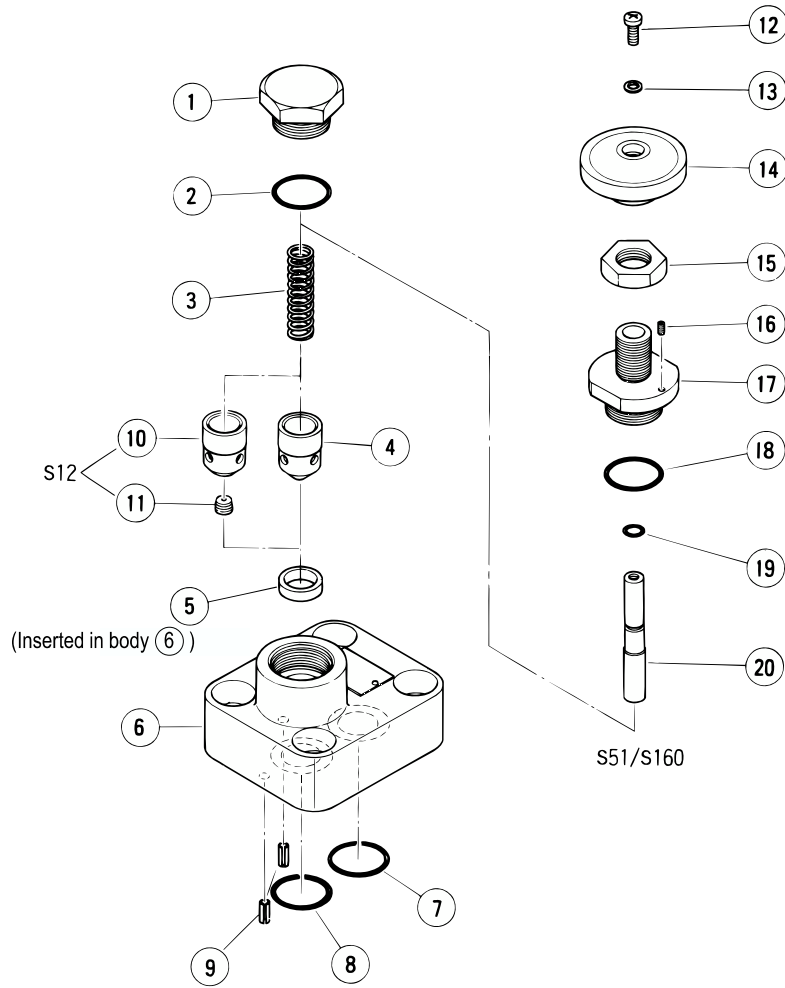


Mounting Dimensions

C5G-825



Construction



③ Springs C2G-805

No.	Part No.
Omitted	VP2978
S3	VP35298
S8	VP55233
S12	VP2978
S17	VP112407
S19	VA4906
S20	VP140804

C5G-815

No.	Part No.
Omitted	VP2943
S2	VA10075
S3	VP25896
S8	VP32999
S12	VP2943
S17	VP84235
S19	VP2287
S20	VA10102
S34	VA10716

C5G-825

No.	Part No.
Omitted	VP2284
S2	VP2953
S3	VP29059
S8	VP39778
S12	VP2284
S17	VA13278
S19	VP106669
S20	VP2950
S34	VA10008

O-Rings

C2G-805

No.	Part No.	Standard	Qty
2	007991019	AS568-910 (NBR, Hs90)	1
7	007911519	AS568-115 (NBR, Hs90)	1
8	007911719	AS568-117 (NBR, Hs90)	1
18	007991019	AS568-910 (NBR, Hs90)	1
19	007900919	AS568-009 (NBR, Hs90)	1

C5G-825

No.	Part No.	Standard	Qty
2	007992019	AS568-920 (NBR, Hs90)	1
7	007922319	AS568-223 (NBR, Hs90)	1
8	007922219	AS568-222 (NBR, Hs90)	1
18	007992019	AS568-920 (NBR, Hs90)	1
19	007901119	AS568-011 (NBR, Hs90)	1

C5G-815

No.	Part No.	Standard	Qty
2	007991619	AS568-916 (NBR, Hs90)	1
7	007921619	AS568-216 (NBR, Hs90)	2
18	007991619	AS568-916 (NBR, Hs90)	1
19	007901119	AS568-011 (NBR, Hs90)	1